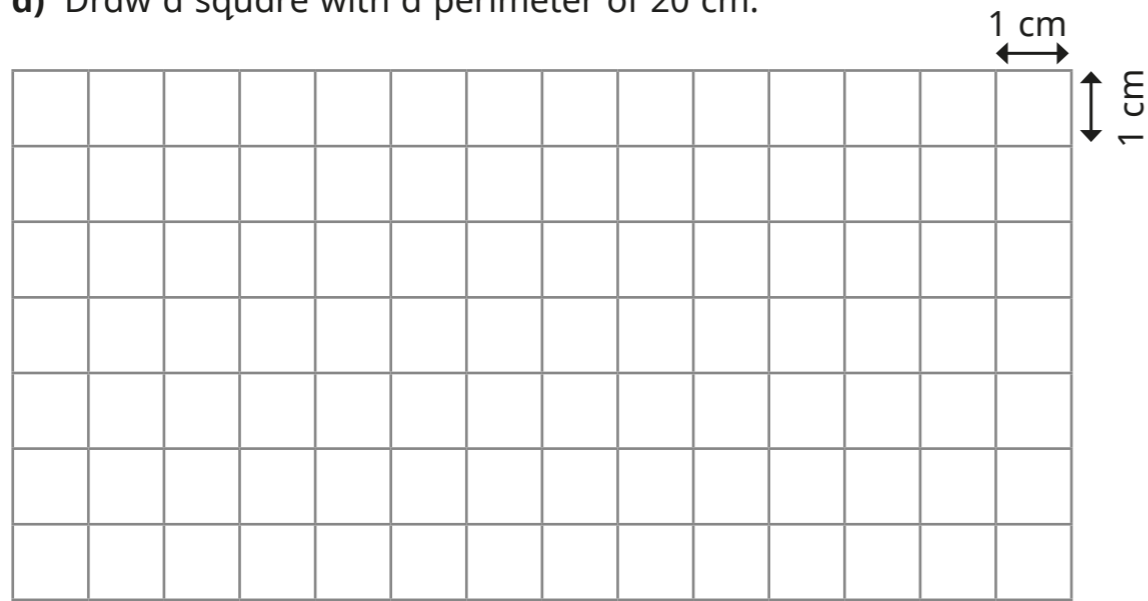


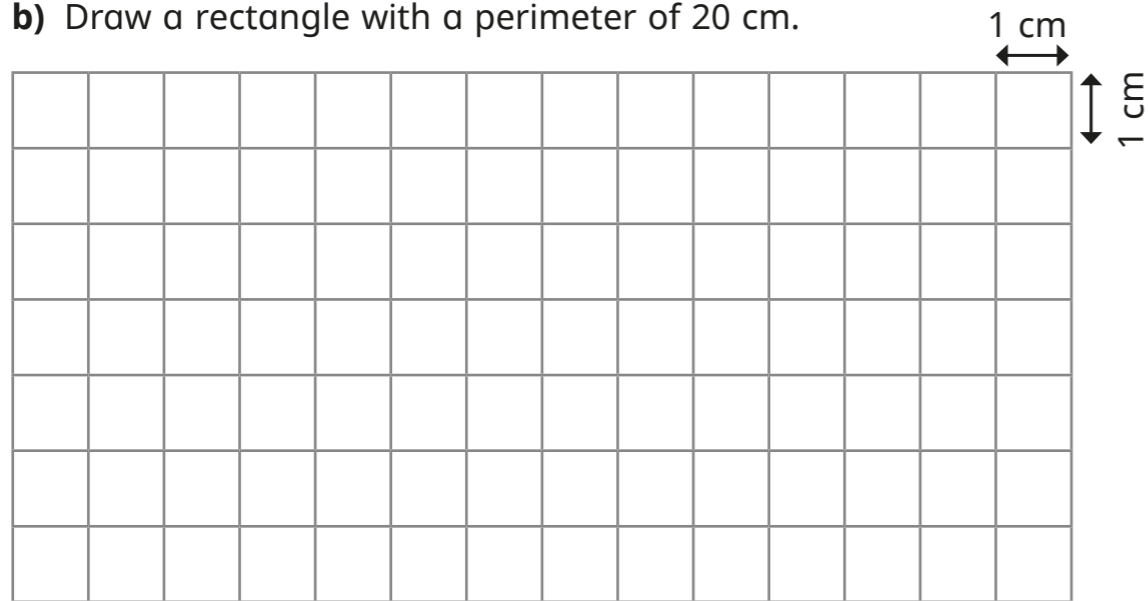
Draw shapes accurately



1 a) Draw a square with a perimeter of 20 cm.



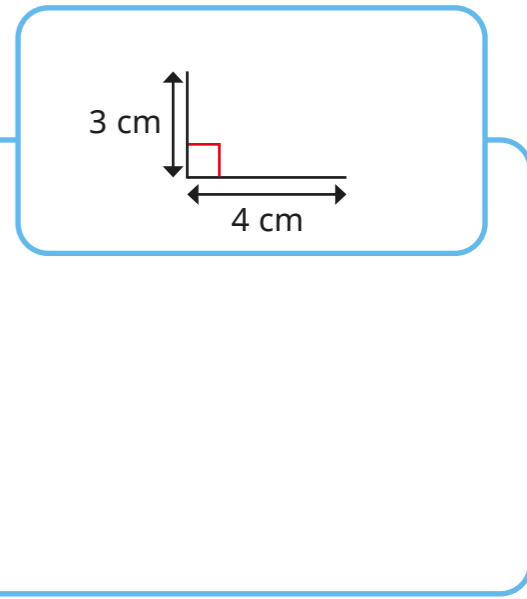
b) Draw a rectangle with a perimeter of 20 cm.



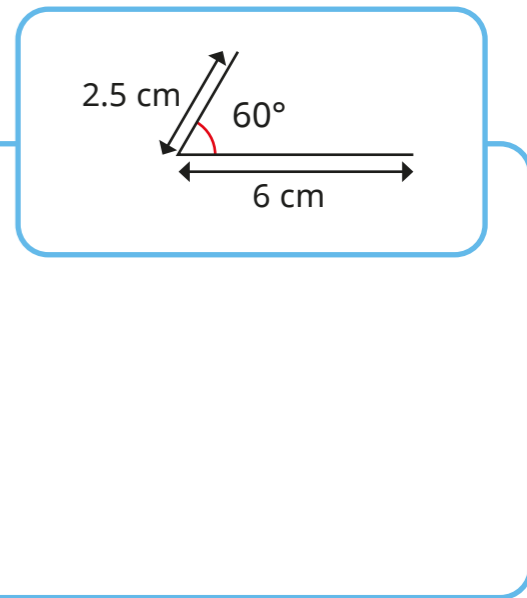
Talk about your method with a partner.

2 Draw the diagrams accurately.

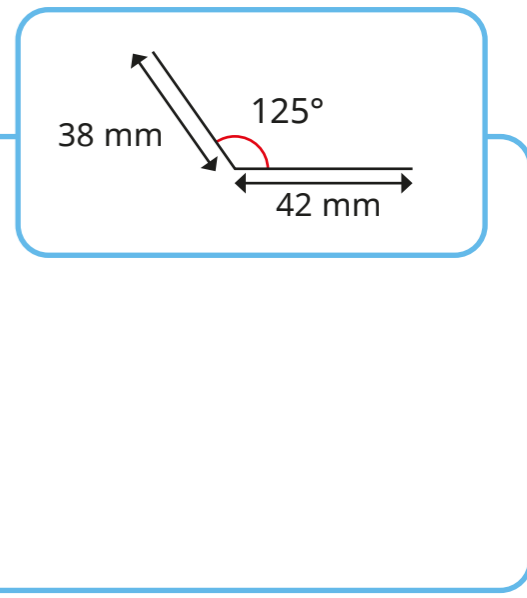
a)



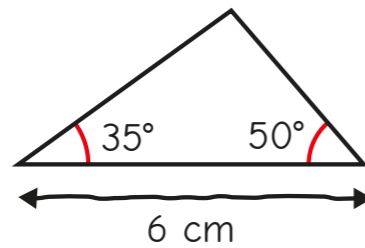
b)



c)



- 3 Aisha draws a triangle.



Make an accurate drawing of Aisha's triangle.

- 4 I have drawn a right-angled triangle. The two shorter sides are 4.5 cm and 6 cm.



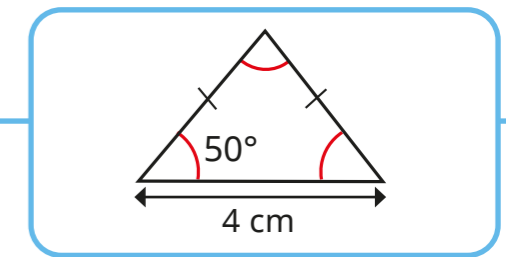
a) Make an accurate drawing of Tommy's triangle.

b) Use your drawing to find the length of the longest side.

 cm


- 5 Draw the triangle accurately.

a)



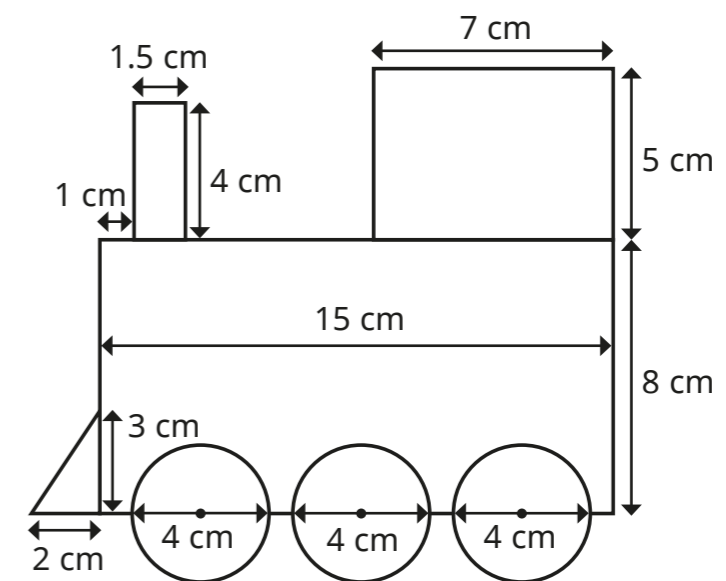
b) Measure the vertical height of the triangle.

 cm

c) Work out the area of the triangle.

 cm²

- 6 Here is a technical drawing of a toy train.



Make an accurate drawing of the toy train on a sheet of squared paper.

